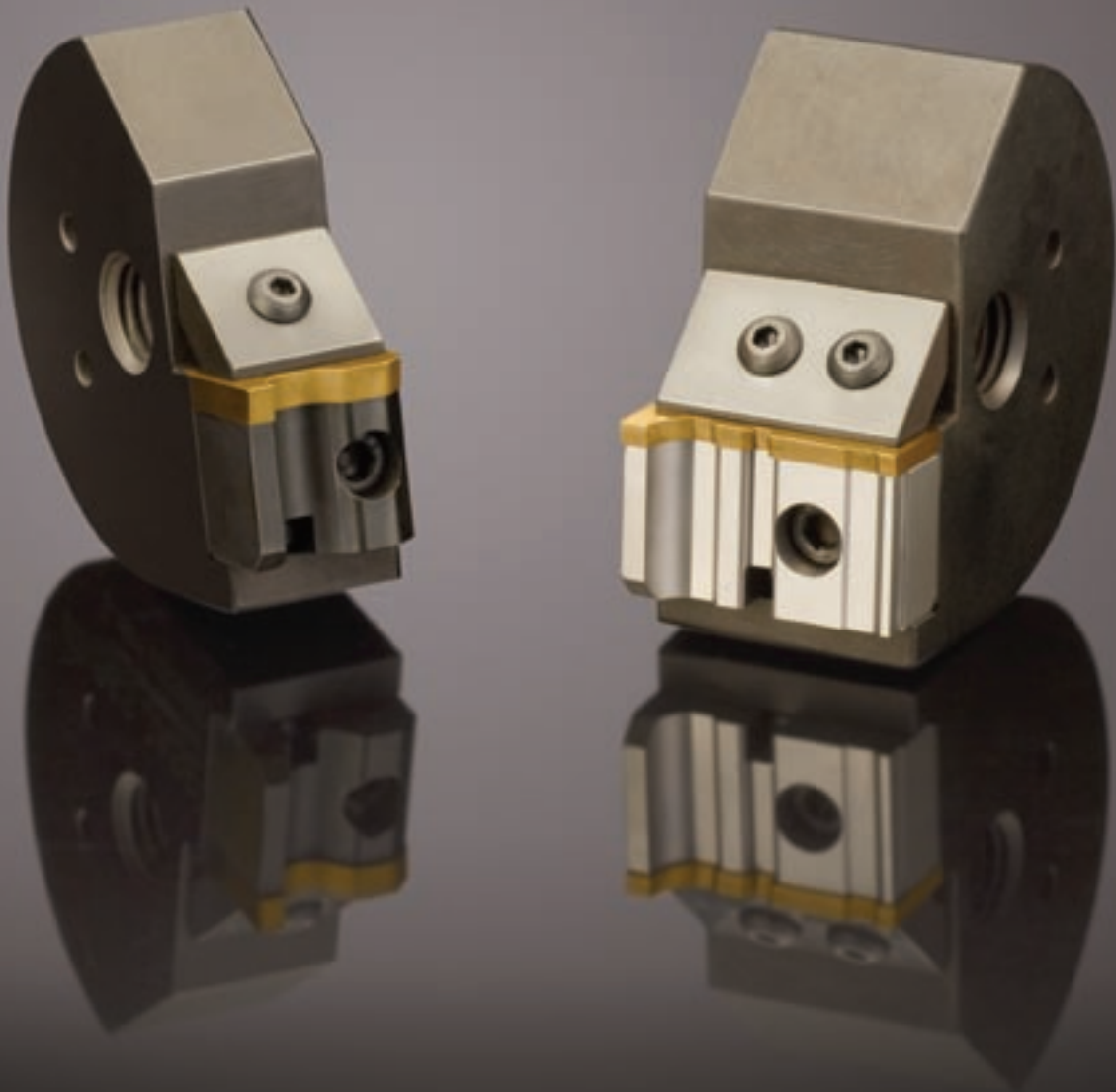




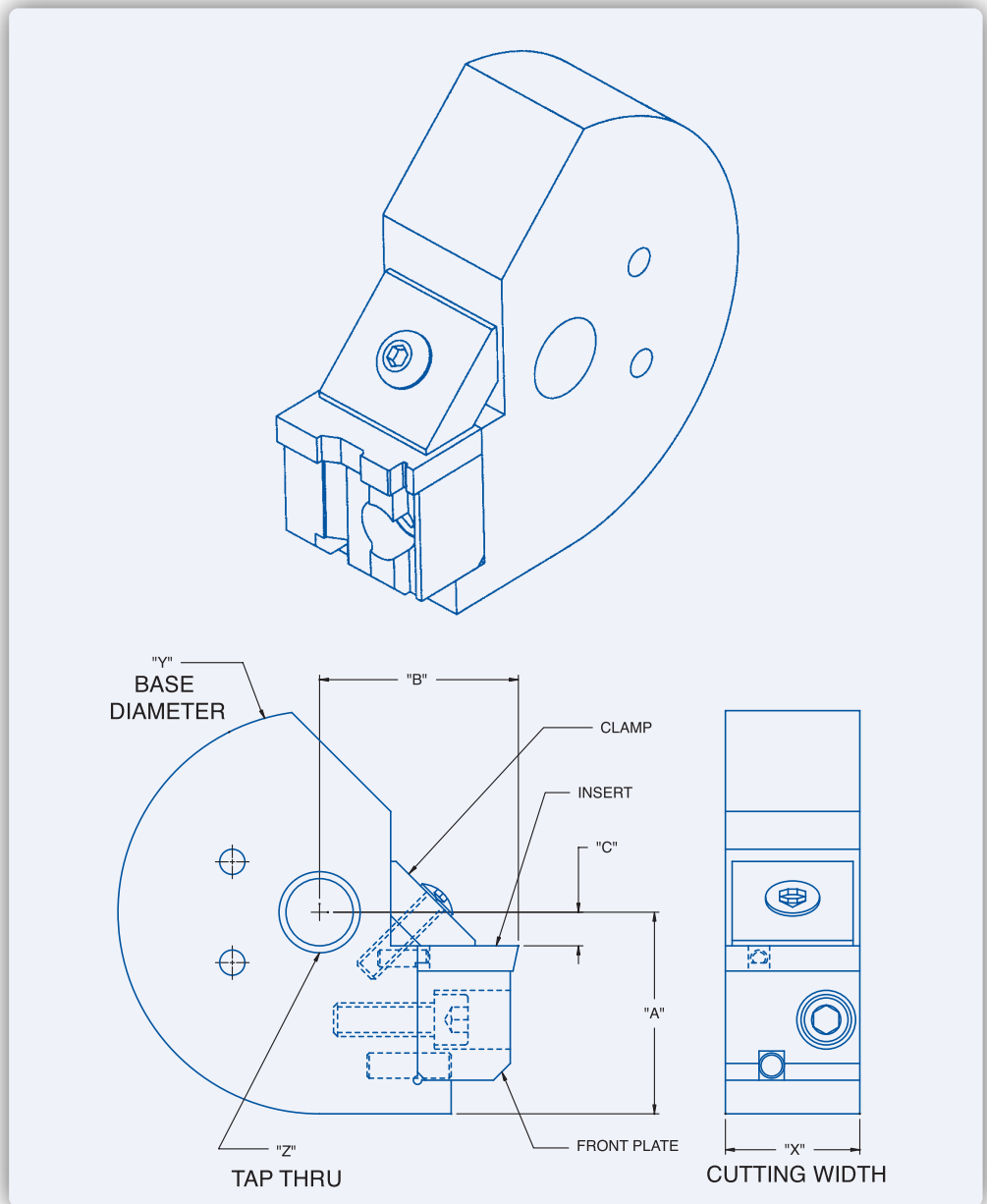
Posa-Cut Corporation



**CIRCULAR
QUICK CHANGE TOOLING**

CIRCULAR QUICKCHANGE TOOLING

- Ideal for Short & Long Run Environments
- Reduced Downtime
 - Fewer Tool Changes
 - Faster Tool Changeover
 - Design Accommodates Radial & Axial Differences Between Parts
- Improved Productivity
 - Optimal Geometries, Grades & Coatings Designed for Any Application
 - Eliminates Downtime Due to Resharpenering
- Interchangeable Components
 - Allows Switching Between Parts with Ease
 - Minimizes Machine Downtime & Adjustments
- Insert Tooling
 - Increased Tool Life
 - Superior Surface Finish
 - Improved Geometries
 - Available in a Variety of Grades & Coatings
- Full Service Engineering Department
 - Custom Designs Available
- Expedited Delivery Available



Dimensions (inches):

MACHINE	X	Y	Z	A	B	C
B&S #00	1.000	1.750	3/8 - 16	0.875	0.866	0.125
B&S #0	1.000	2.250	1/2 - 13	1.125	1.114	0.156
B&S #2	1.000	3.000	5/8 - 11	1.500	1.479	0.250
B&S #2	1.500	3.000	5/8 - 11	1.500	1.479	0.250



23600 Haggerty Road · Farmington Hills, MI 48335 · 800-966-POSA (7672) · 248-474-5620 ph · 248-474-0630 fax

www.posacut.com