



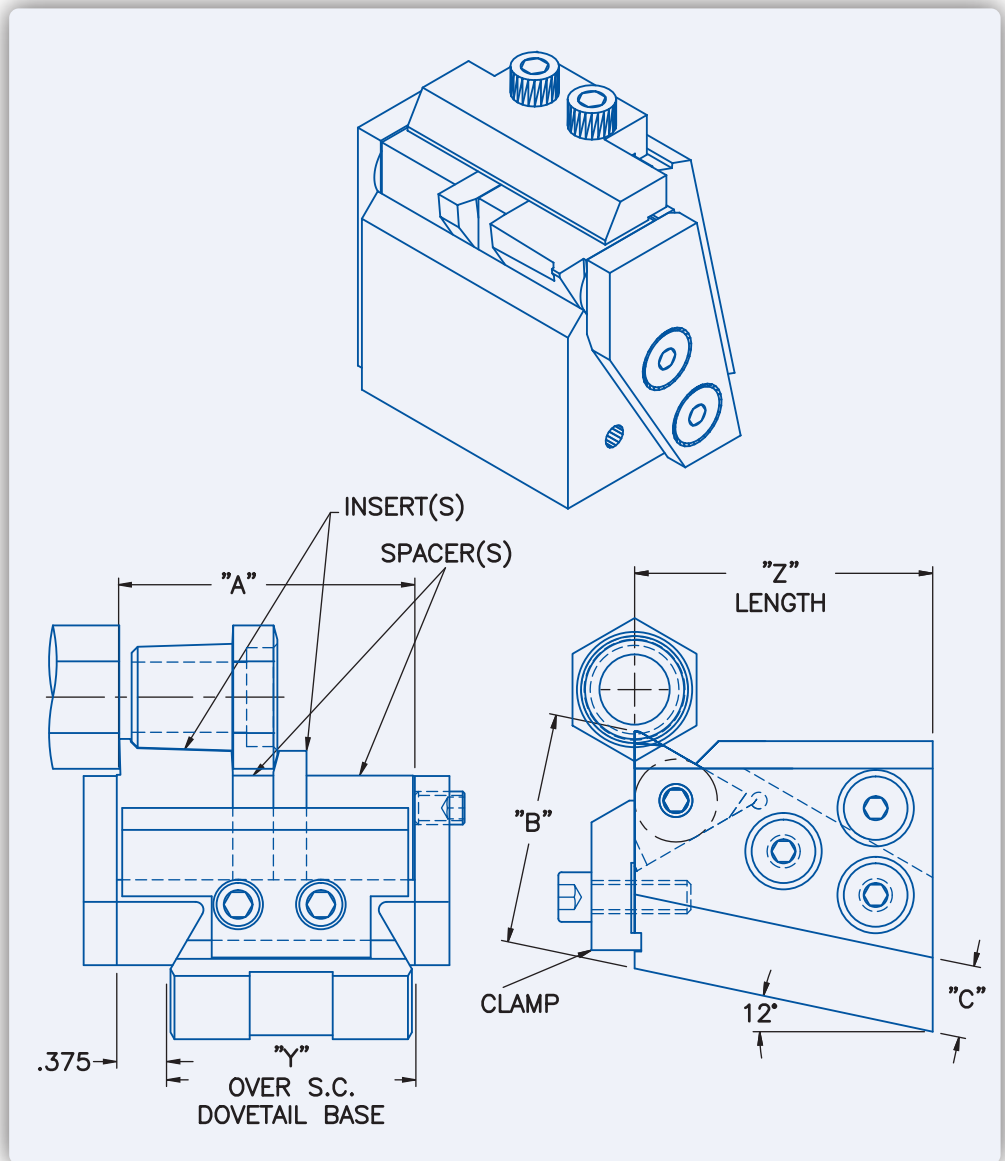
Posa-Cut Corporation



POSA-LOK TOOLING

POSA-LOK TOOLING

- Ideal for Short & Long Run Environments
- Holders In Stock
- Ground Chipbreakers
- Multiple Cutting Edges
- Improved Productivity
 - Optimal Geometries, Grades & Coatings Designed for Any Application
 - Eliminates Downtime Due to Resharpener
- Interchangeable Components
 - Allows Switching Between Parts with Ease
 - Minimizes Machine Downtime & Adjustments
- Insert Tooling
 - Increased Tool Life
 - Superior Surface Finish
 - Improved Geometries
 - Available in a Variety of Grades & Coatings
- Full Service Engineering Department
 - Custom Designs Available
- Expedited Delivery Available



Dimensions (inches):

IC	DOVETAIL	Y	Z	A	B	C
0.500	5/8	0.9510	2.250	1.260	1.500	0.297
0.625	5/8	0.9510	2.250	1.750	1.750	0.297
0.500	1-1/4	1.8820	2.250	2.250	1.500	0.547
0.500	1-1/4	1.8820	2.250	3.000	1.500	0.547
0.625	1-1/4	1.8820	2.250	2.250	1.750	0.547
0.625	1-1/4	1.8820	2.250	3.000	1.750	0.547
0.750	1-1/4	1.8820	2.250	2.250	1.963	0.547



23600 Haggerty Road · Farmington Hills, MI 48335 · 800-966-POSA (7672) · 248-474-5620 ph · 248-474-0630 fax

www.posacut.com